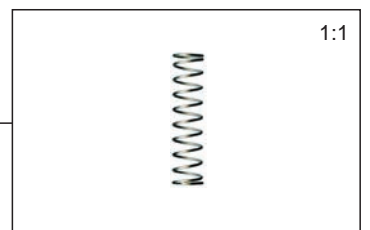
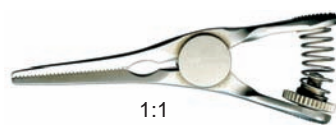
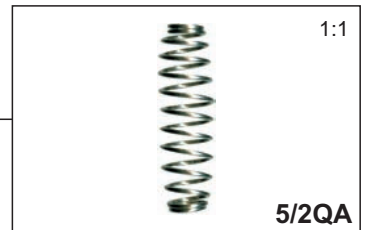
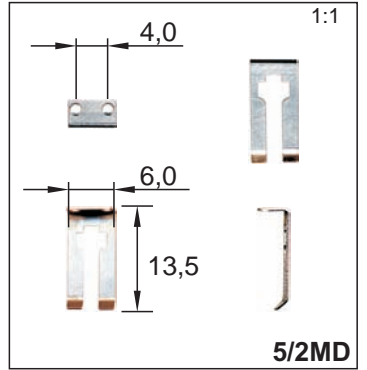
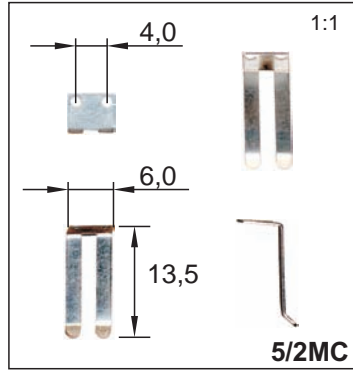
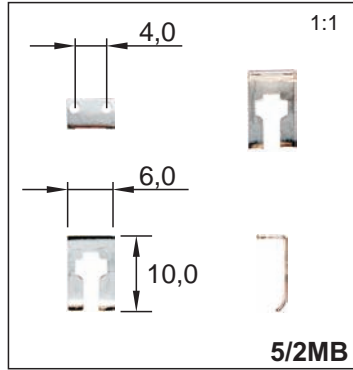
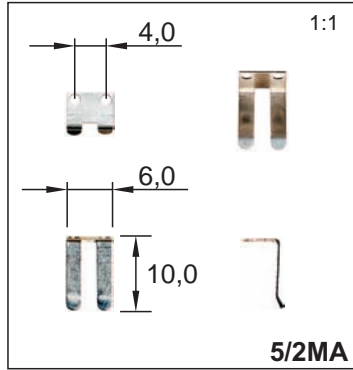
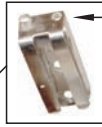


Catches / Springs

Applying forceps



281111 5/2-2