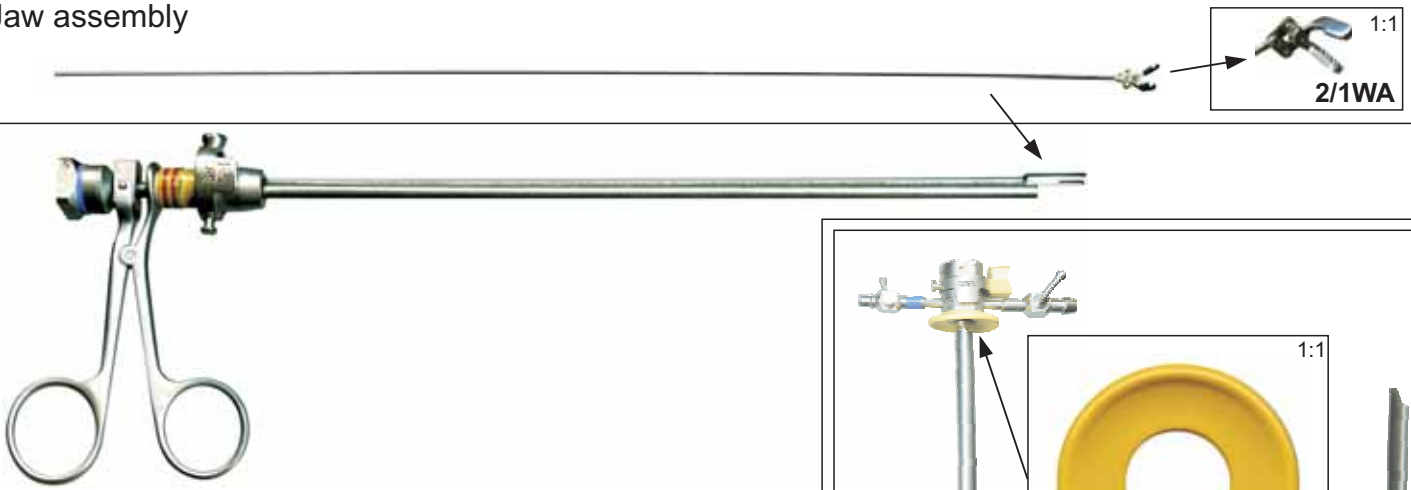


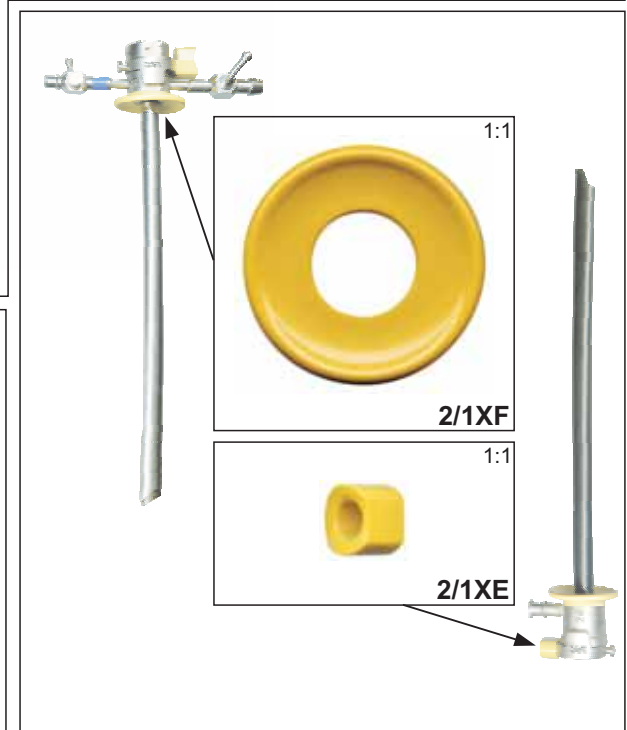
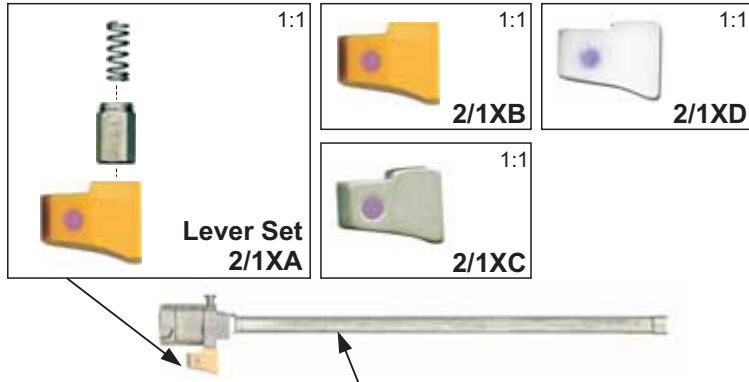
# Spare Parts usable for ACMI

## Optical Forceps

Jaw assembly



Lever



050711 2\_01-3