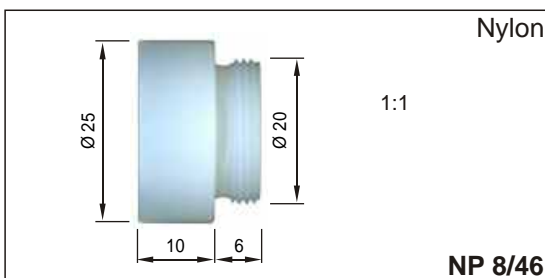
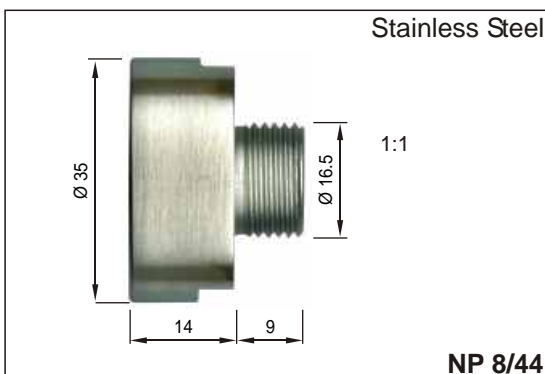
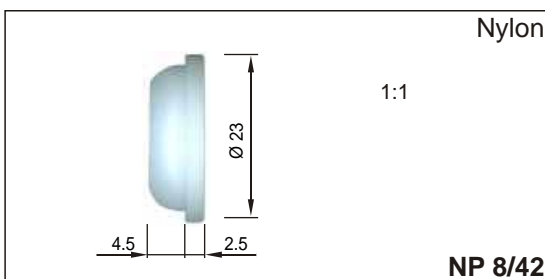
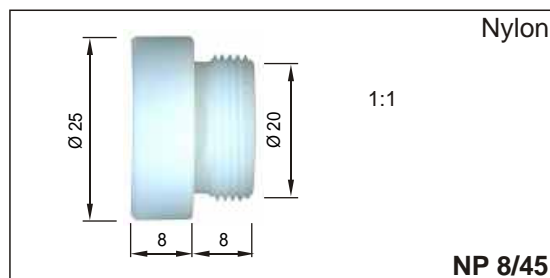
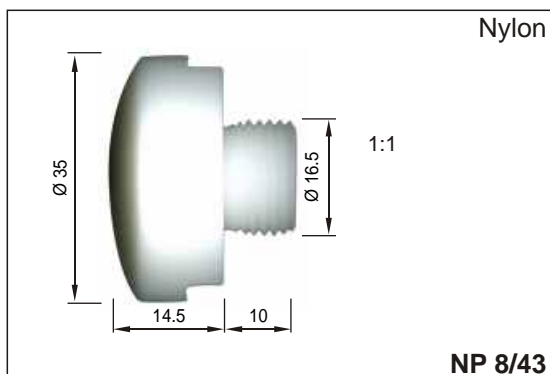
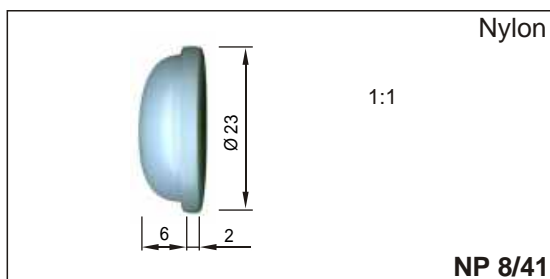
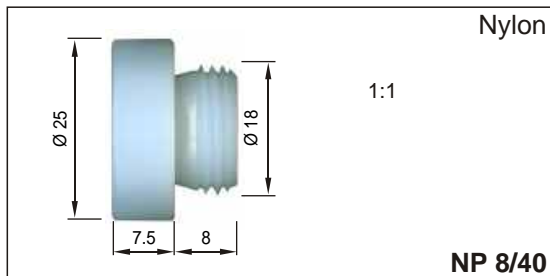
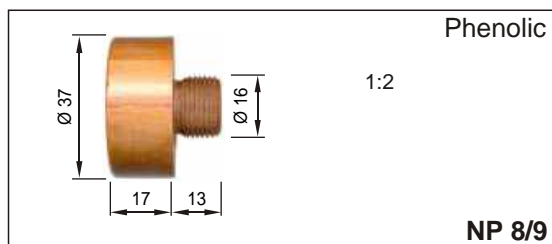


Mallet Head



160608 NP_08_1B