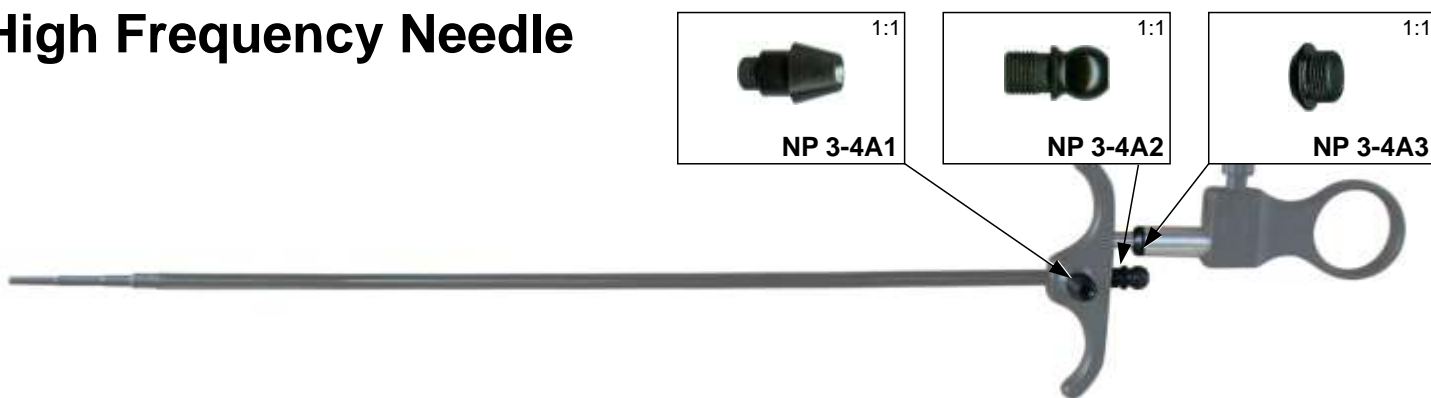
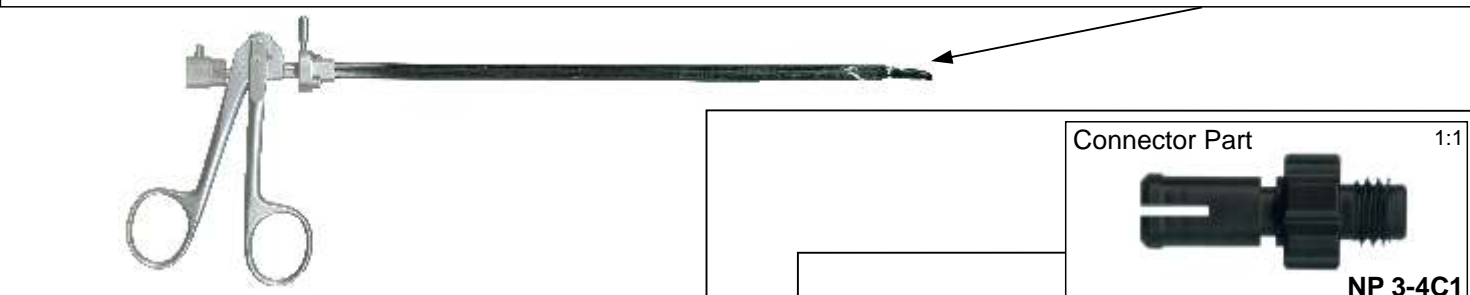
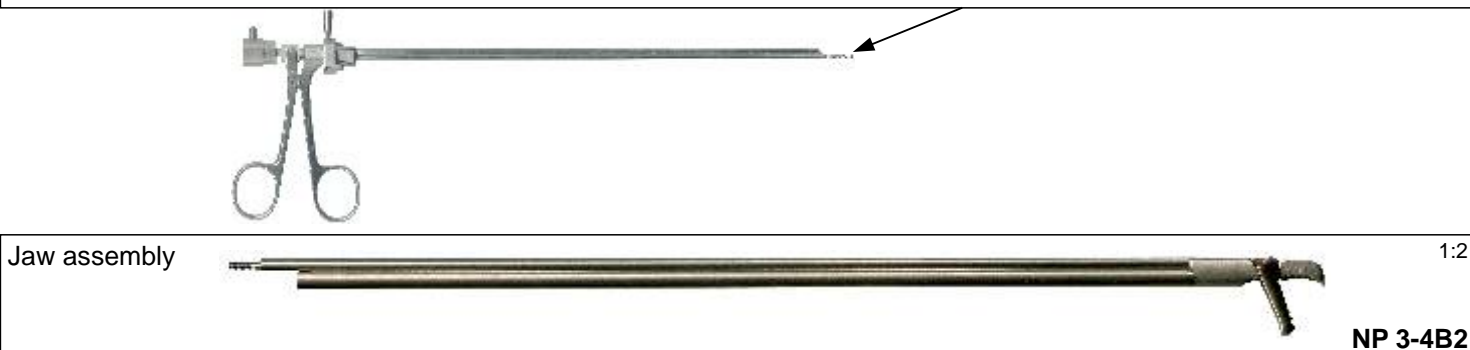
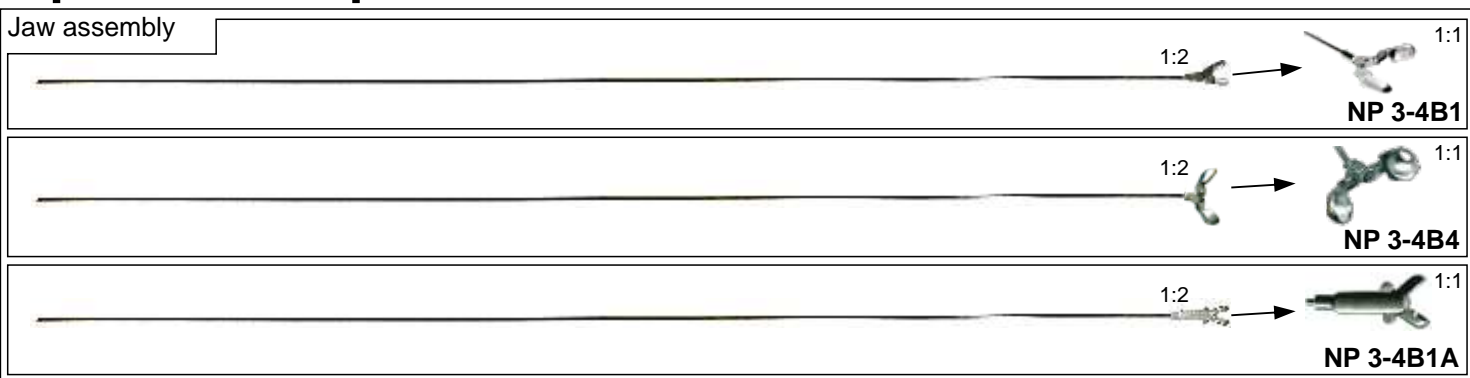


## High Frequency Needle



## Optical Forceps usable ST



## Electrode Parts usable ST

